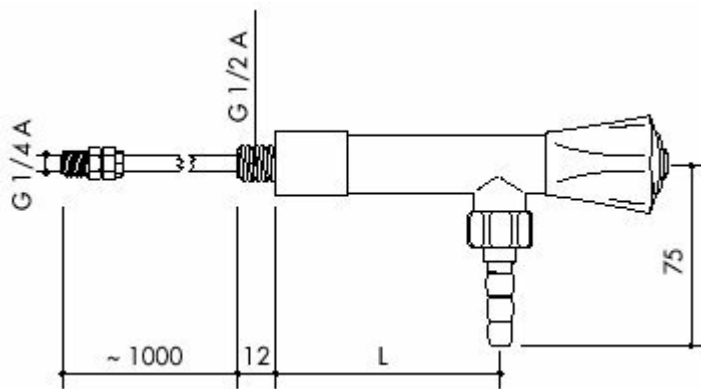




HELAGO-CZ, s.r.o.
Commercial Register maintained by the Regional Court
in Hradec Králové
Section C, File 17879
Kladská 1082
500 03 Hradec Králové 3
Company ID: 25 96 39 61, VAT: CZ 25963961
Phone: 495 220 229, 495 220 394
Fax: 495 220 154
GSM gate: 602 123 096
E-mail: info@helago-cz.cz
Web: http://www.helago-cz.cz

TOF 1000/610 - Laboratory tap for demi water with an inlet hose, outlet 90 °

Order code: **8009.1000610**



Cena bez DPH

56,00 Eur

Price with VAT

67,76 Eur

Parameters

Quantitative unit

ks

Dewatering valve with inlet hose and outlet 90°, PP, Spacing distance from base L = 100 mm.