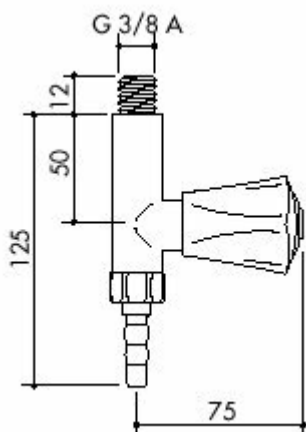




HELAGO-CZ, s.r.o.
Commercial Register maintained by the Regional Court in
Hradec Králové
Section C, File 17879
Kladská 1082
500 03 Hradec Králové 3
Company ID: 25 96 39 61, VAT: CZ 25963961
Phone: 495 220 229, 495 220 394
Fax: 495 220 154
GSM gate: 602 123 096
E-mail: info@helago-cz.cz
Web: http://www.helago-cz.cz

**TOF 1000/50 - Laboratory tap for
water, direct discharge**
Order code: **8009.100050**



Information about product price on demand

Parameters

Quantitative unit

ks