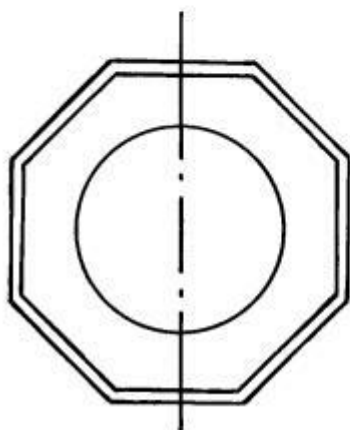
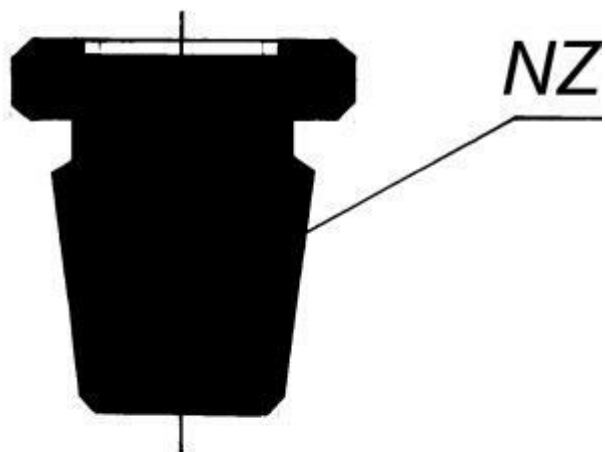




HELAGO-CZ, s.r.o.  
Commercial Register maintained by the Regional Court in Hradec  
Králové  
Section C, File 17879  
Kladská 1082  
500 03 Hradec Králové 3  
Company ID: 25 96 39 61, VAT: CZ 25963961  
Phone: 495 220 229, 495 220 394  
Fax: 495 220 154  
GSM gate: 602 123 096  
E-mail: info@helago-cz.cz  
Web: http://www.helago-cz.cz

## Full Stopper - octagonal with NZ 24/29

Order code: **6632.493501070**



Cena bez DPH

8,90 Eur

Price with VAT

10,77 Eur

Parameters

Quantitative unit

ks