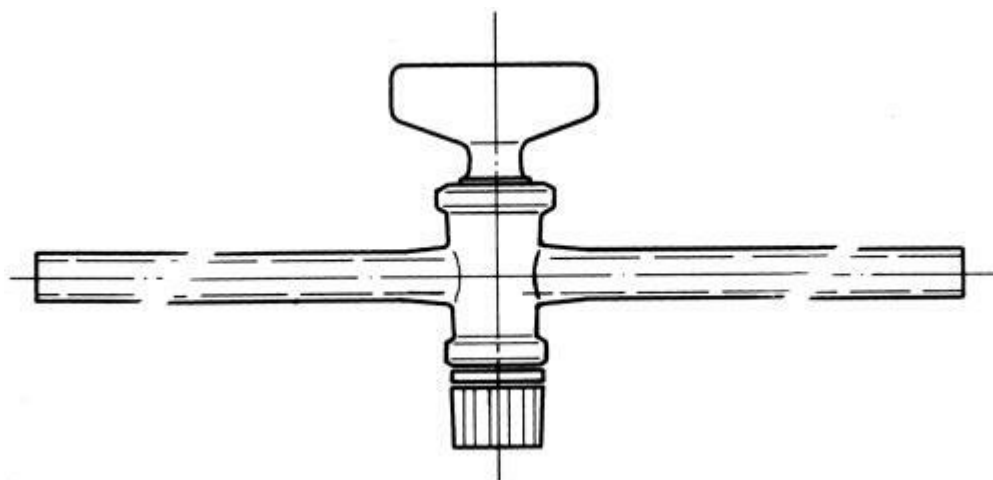


**Cock straight, marking 6, drilling  
6,0 mm**

Order code: **6632.441340060**



Cena bez DPH

100,40 Eur

Price with VAT

121,48 Eur

Parameters

d × l [mm]

13 x 120

Quantitative unit

ks